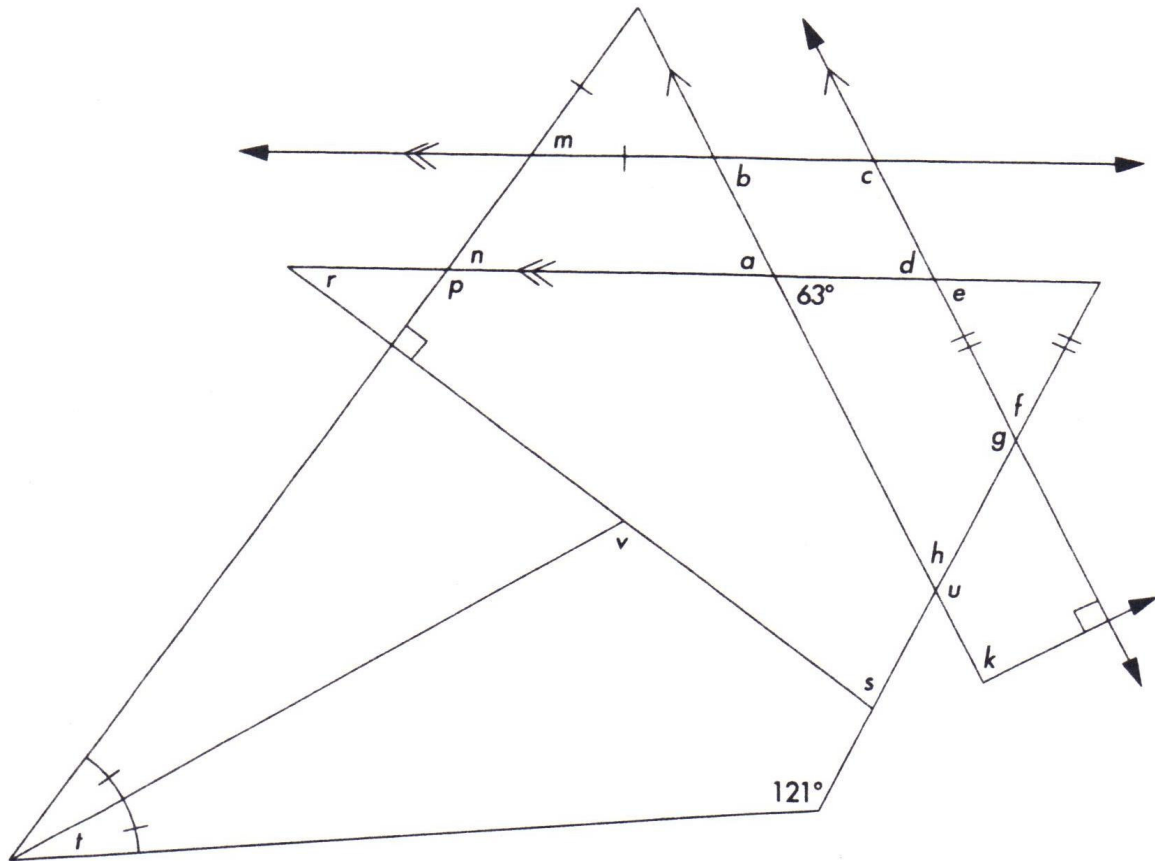


Problem of the Week # 5

One point will be added to the first test for each solved problem. Show all calculations!

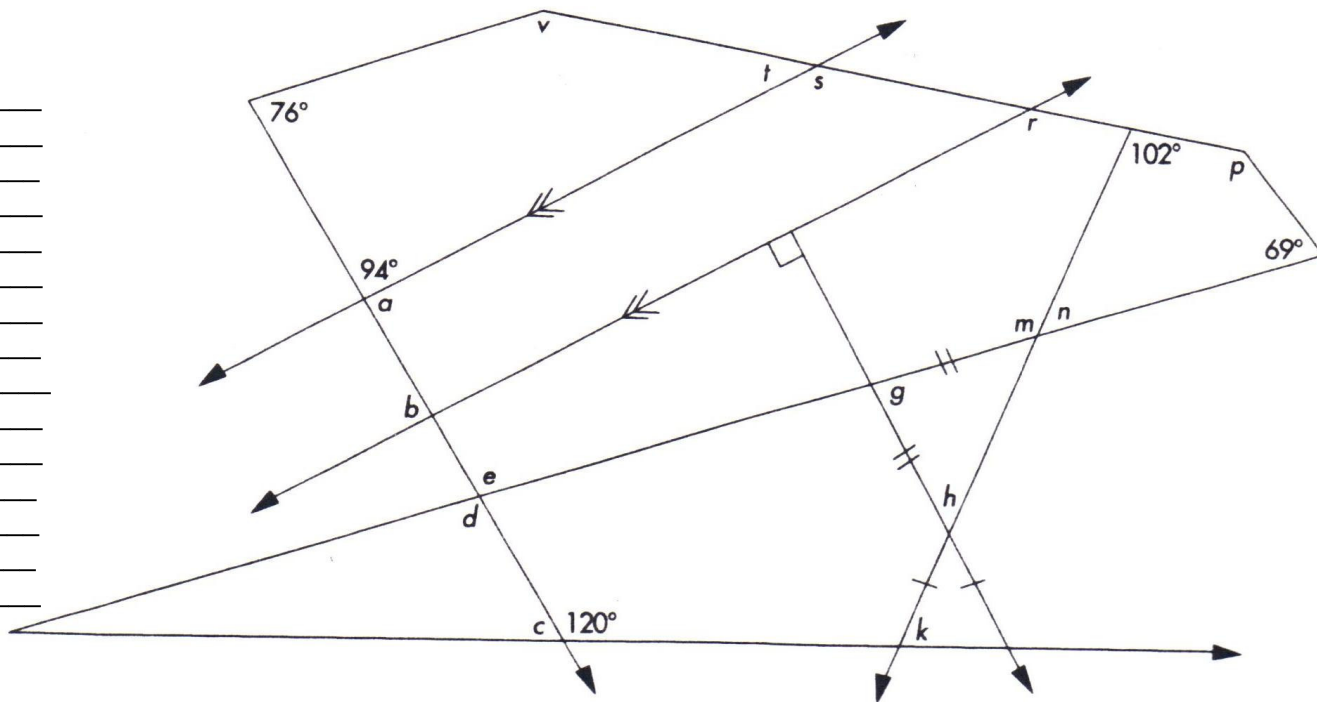
1.

- a = _____
- b = _____
- c = _____
- d = _____
- e = _____
- f = _____
- g = _____
- h = _____
- k = _____
- m = _____
- n = _____
- p = _____
- r = _____
- s = _____
- t = _____
- u = _____
- v = _____



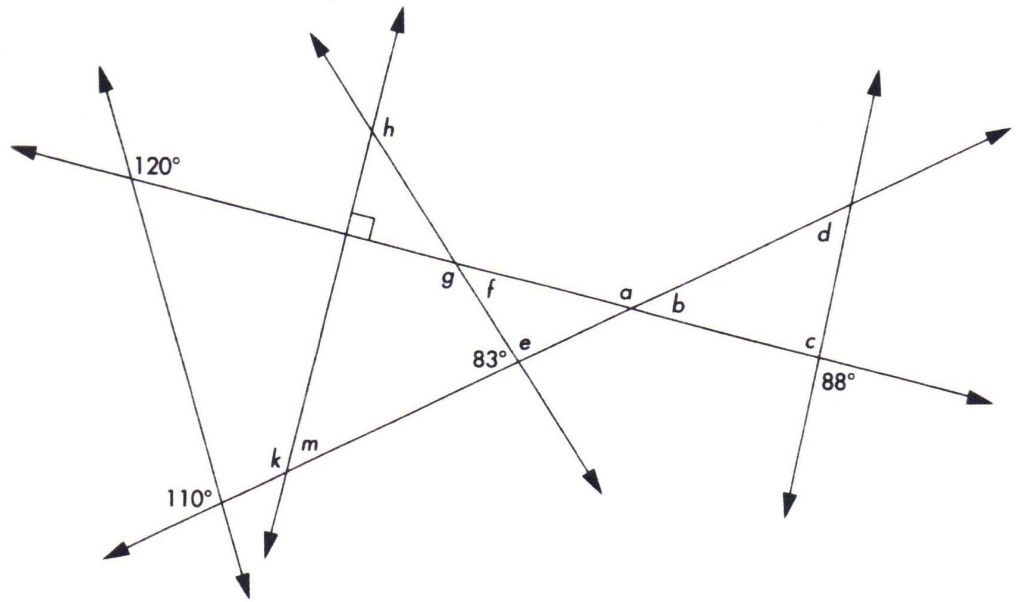
2.

- a = _____
- b = _____
- c = _____
- d = _____
- e = _____
- g = _____
- h = _____
- k = _____
- m = _____
- n = _____
- p = _____
- r = _____
- s = _____
- t = _____
- v = _____



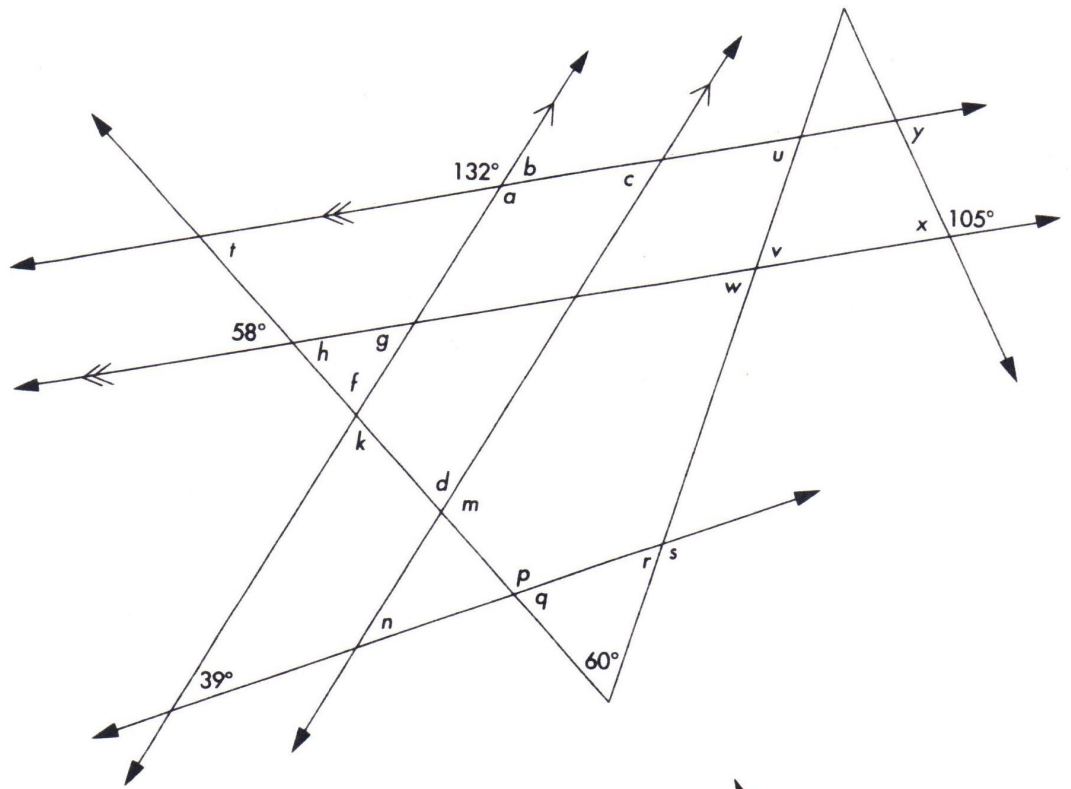
3.

- a = _____
- b = _____
- c = _____
- d = _____
- e = _____
- f = _____
- g = _____
- h = _____
- k = _____
- m = _____



4.

- a = _____
- b = _____
- c = _____
- d = _____
- f = _____
- g = _____
- h = _____
- k = _____
- m = _____
- n = _____
- p = _____
- q = _____
- r = _____
- s = _____
- t = _____
- u = _____
- v = _____
- w = _____
- x = _____
- y = _____



5.

- | | |
|-----------|-----------|
| a = _____ | n = _____ |
| b = _____ | p = _____ |
| c = _____ | q = _____ |
| d = _____ | r = _____ |
| f = _____ | s = _____ |
| g = _____ | t = _____ |
| h = _____ | u = _____ |
| j = _____ | v = _____ |
| k = _____ | w = _____ |
| m = _____ | x = _____ |

